

MK173-2X6-12S1P-L145W45-72V-17800

LED Street and Outdoor lighting modules with optics

These LED modules are suitable for standard compliant street lighting, paths and squares in accordance with EN 13201. These modules are designed for built-in into luminaire casings. They enable a modular luminaire design. The modules dimensions aligned with Zhaga book 19, Compatible with third party optics, e.g. from DARKOO.



Technical data

Dimensions: 145x45 mm
On-board push-in terminals (WAGO 2060)
Allowed operating temperature at tc point:
-30 to 85 °C (> 700 mA)
Use of external LED constant-current drivers
Efficiency up to 156 lm/W
Colour rendering index Ra: > 70
Colour accuracy initially: 5 SDCM;
after 50,000 hrs. operating time: 7 SDCM
Lumen maintenance L80/B10:
50,000 hrs. (If 700 mA)

Specific technical data

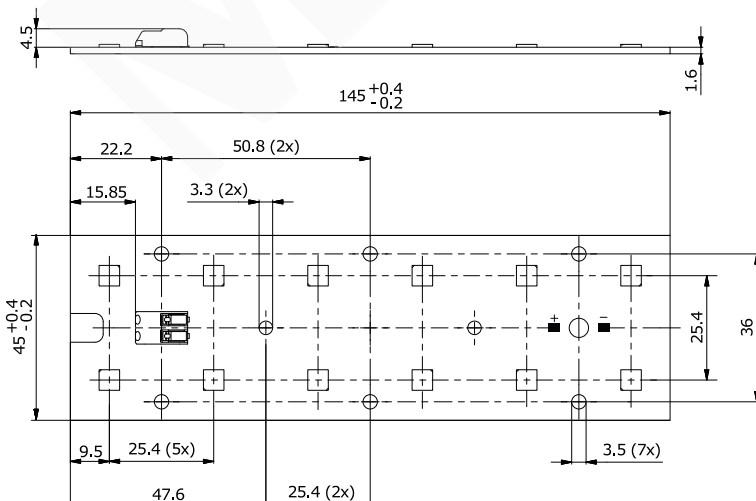
Type	Typ. luminous flux at tp = 25 °C	Typ. luminous flux at tp = 65 °C	Typ. Colour temperature (CCT)	Colour rendering index CRI	Min. forward voltage at tp = 65 °C	Max. forward voltage at tp = 25 °C	Typ. forward current	Typ. power consumption at tp = 65 °C	Max. forward current	Efficiency of the module at tp = 25 °C	Efficiency of the module at tp = 65 °C
------	----------------------------------	----------------------------------	-------------------------------	----------------------------	------------------------------------	------------------------------------	----------------------	--------------------------------------	----------------------	--	--

Outdoor-Z LED-module – L72.2 W49.5 H8

DK173-17800	2,420Lm	2,343Lm	5,000K	>70	67.2V	74.4V	180	11.4W	1500	220Lm/W	213Lm/W
	3,408Lm	3,296Lm					250	16.6W		213Lm/W	206Lm/W
	4,715Lm	4,554Lm					350	23.6W		205Lm/W	198Lm/W
	6,912Lm	6,660Lm					520	36.5W		192Lm/W	185Lm/W
	9,016Lm	8,673Lm					700	49.8W		184Lm/W	177Lm/W
	9,180Lm	8,823Lm					720	51.2W		180Lm/W	173Lm/W

* The values mentioned above represent only statistical variables on account of the complex manufacturing process of light emitting diodes. The values do not necessarily correspond exactly to the actual parameters of every single product which can vary from the typical specification.
** Production tolerance of voltage and power consumption: +10%/-4%; Measuring tolerance of luminous flux: ±7%
*** Measuring tolerance of CRI: ±2 | CRI > 70 on request

DIMENSIONS (All dimensions in mm)



Typical applications

- Installation in luminaires comerciais
- High bay lighting
- Flood and Area lighting
- Urban street lighting
- Road lighting

Website

<http://www.led-module.cn/pro175>

