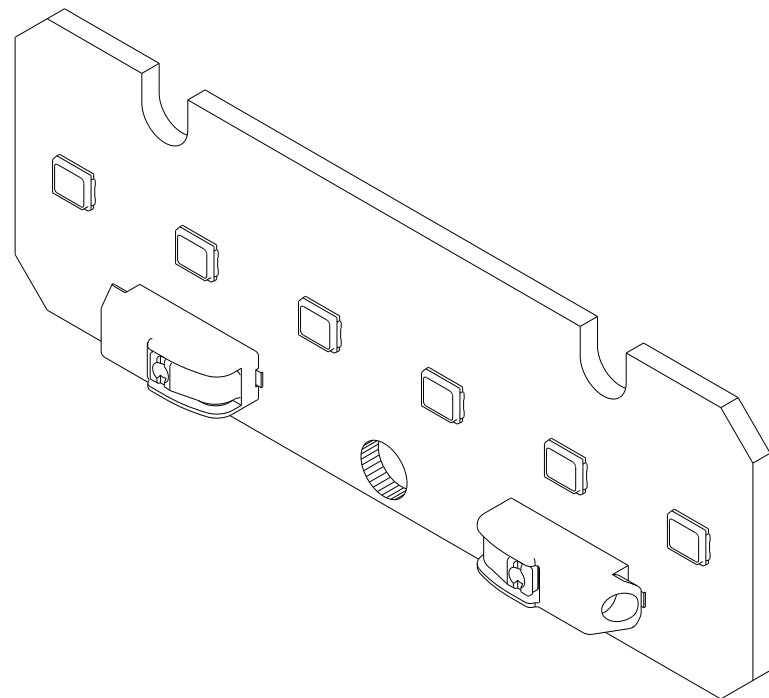
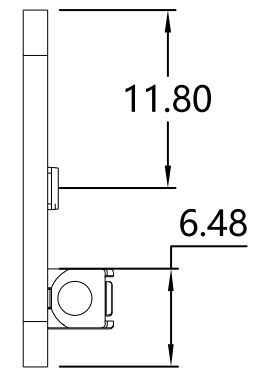
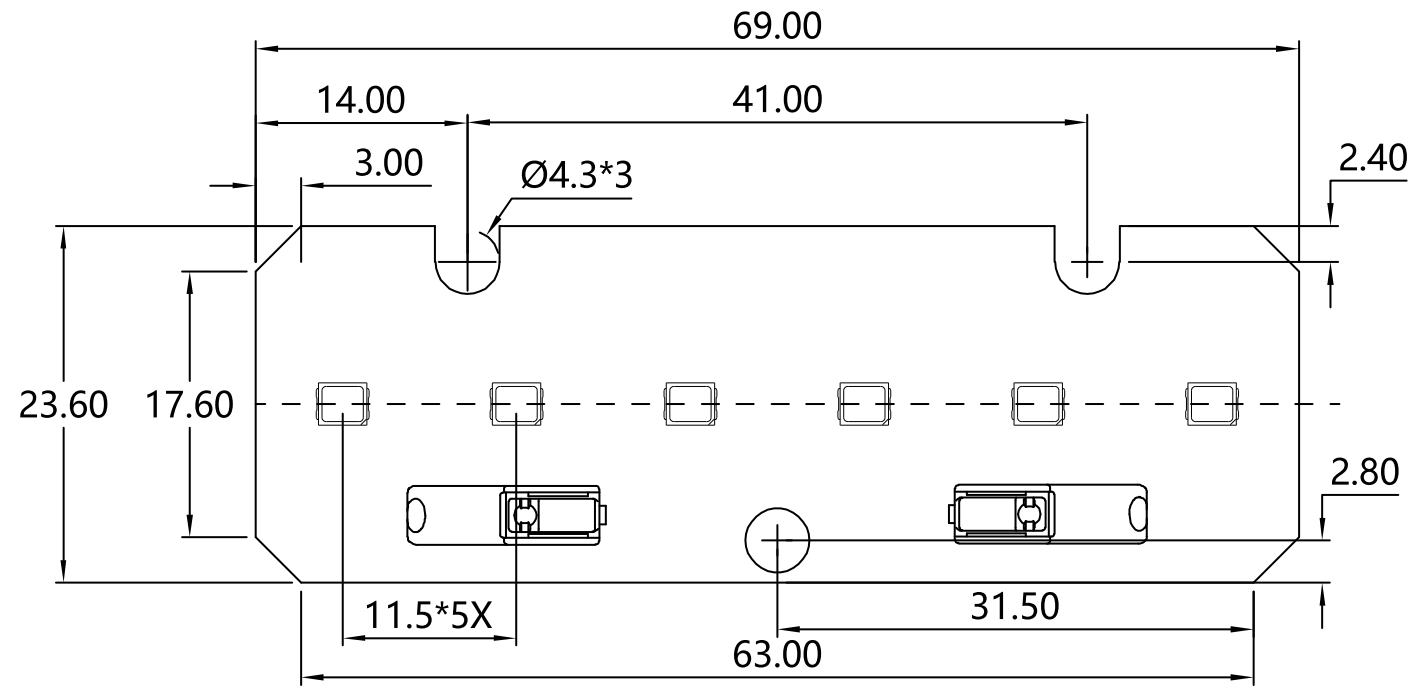
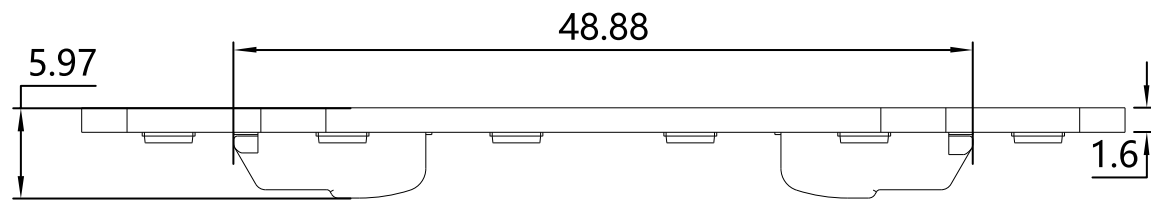


a
b
c
d
e
f

1 2 3 4 5 6 7 8



TOLERANCES UNLESS OTHERWISE STATED		PCB METAL	AL	Type	MK286-6H-2S3P-24X70MM-21151	
<200 m	±0.20 mm	PCB THICKNESS	1.6mm	NUMBER		
≥ 200 mm <400 m	±0.25 mm	COPPER THICKNESS	1 OZ	UNIT	mm	
≥ 400 mm <600 m	±0.30 mm	SURFACE	OSP	ASSESSOR	CELIO	
≥ 600 mm	±0.40 mm	SOLDERMASK	WHITE	DESIGNER	JOSE	
SCALE	1:2	VERSION NO.	V1.5	MANKUN ELECTRONIC CO.,LTD.		