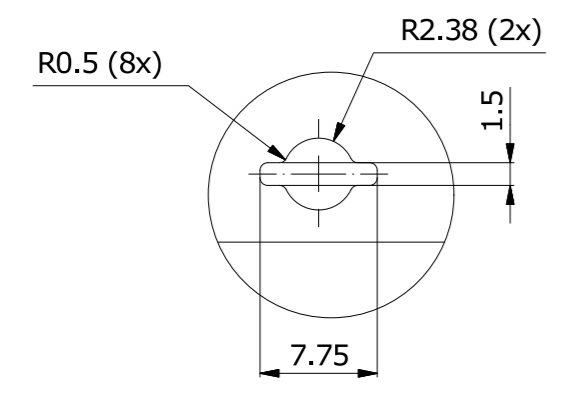
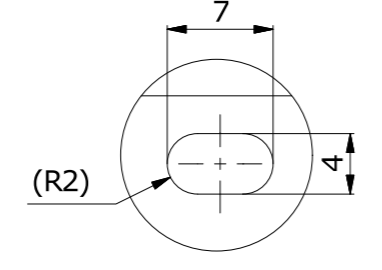


C ( 2 : 1 ) ( 6 x )



E ( 2 : 1 )



2D file available: Linear LED Strip 2ft

TOLERANCES UNLESS OTHERWISE STATED		PCB METAL	AL	Type	DK280-44LEDs-40*560MM
<200 m	±0.20 mm	PCB THICKNESS	1.6mm	NUMBER	
≥ 200 mm <400 m	±0.25 mm	COPPER THICKNESS	1 OZ	APPROVER	BELLUM
≥ 400 mm <600 m	±0.30 mm	SURFACE	OSP	ASSESSOR	CELIO
≥ 600 mm	±0.40 mm	SOLDERMASK	WHITE	DESIGNER	JOSE
SCALE	1:1	VERSION NO.	V1.5	MANKUN ELECTRONIC CO.,LTD.	