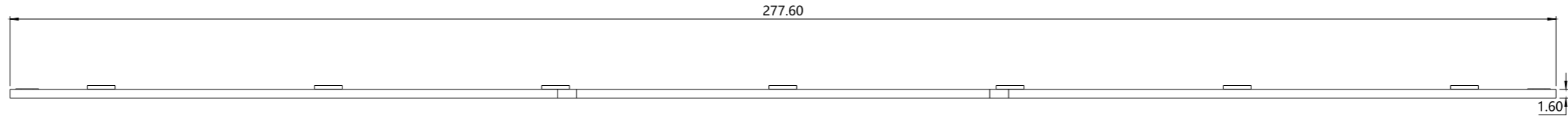
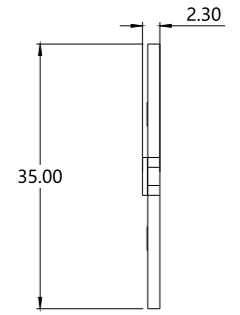
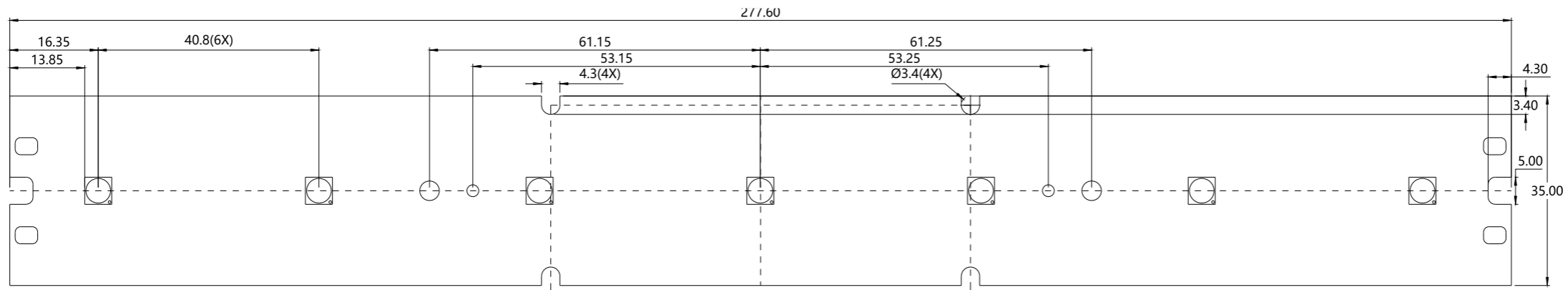


1 2 3 4 5 6 7 8

a



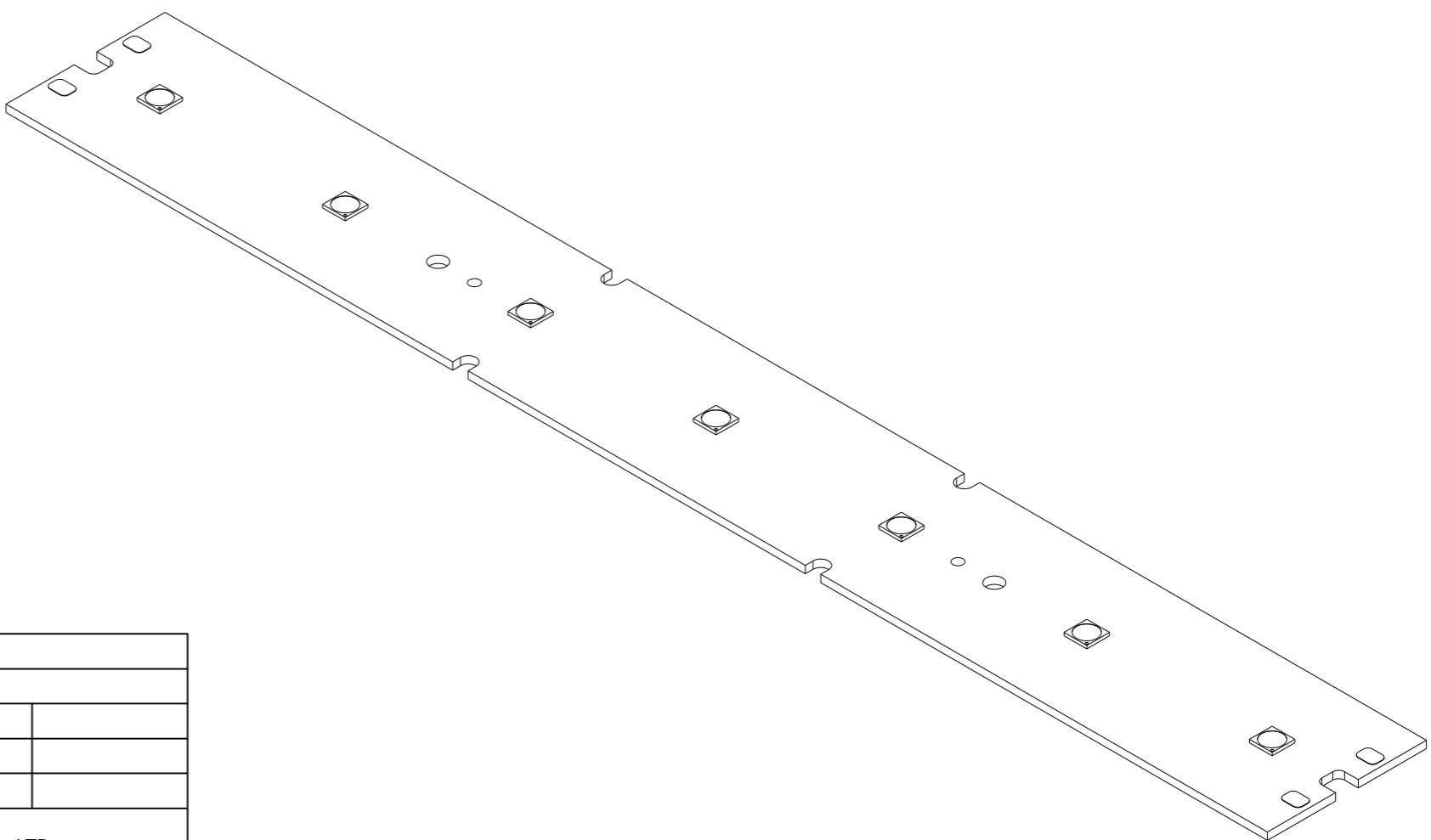
b



c

d

e



f

TOLERANCES UNLESS OTHERWISE STATED		PCB METAL	AL	Type	
<200 m	±0.20 mm	PCB THICKNESS	1.6mm	NUMBER	
≥ 200 mm <400 m	±0.25 mm	COPPER THICKNESS	1 OZ	UNIT	mm
≥ 400 mm <600 m	±0.30 mm	SURFACE	OSP	ASSESSOR	CELIO
≥ 600 mm	±0.40 mm	SOLDERMASK	WHITE	DESIGNER	JOSE
SCALE	1:1	VERSION NO.	V1.5	MANKUN ELECTRONIC CO.,LTD.	