

D

D

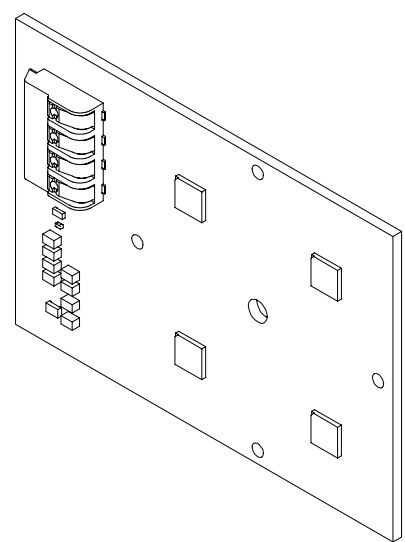
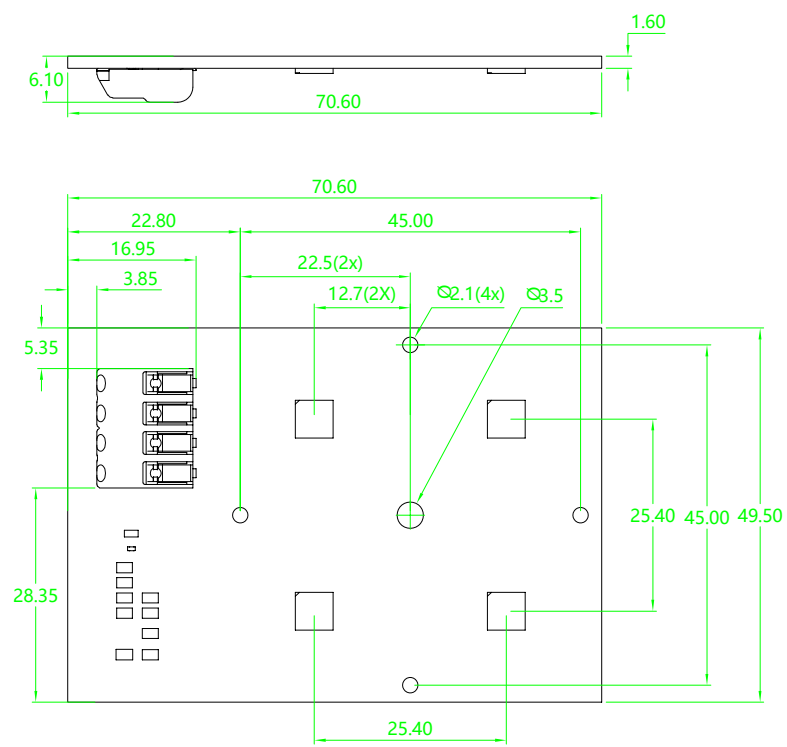
C

C

B

A

A



TOLERANCES UNLESS OTHER WISE STATED		PCB METAL	AL	Type	MK5050-4H1
≤200 mm	±0.20mm	PCB THICKNESS	1.6mm	NUMBER	20594
≥200 mm ≤400 mm	±0.25mm	COPPER THICKNESS	1OZ	APPROVER	BELLUM
≥400 mm ≤600 mm	±0.30mm	SURFACE	OSP	ASSESSOR	CELIO
≥600 mm	±0.4mm	SOLDERMASK	WHITE	DESIGNER	YIRU
SCALE	1:1	VERSION NO.	V1.0	MANKUN ELECTRONIC CO.,LTD.	